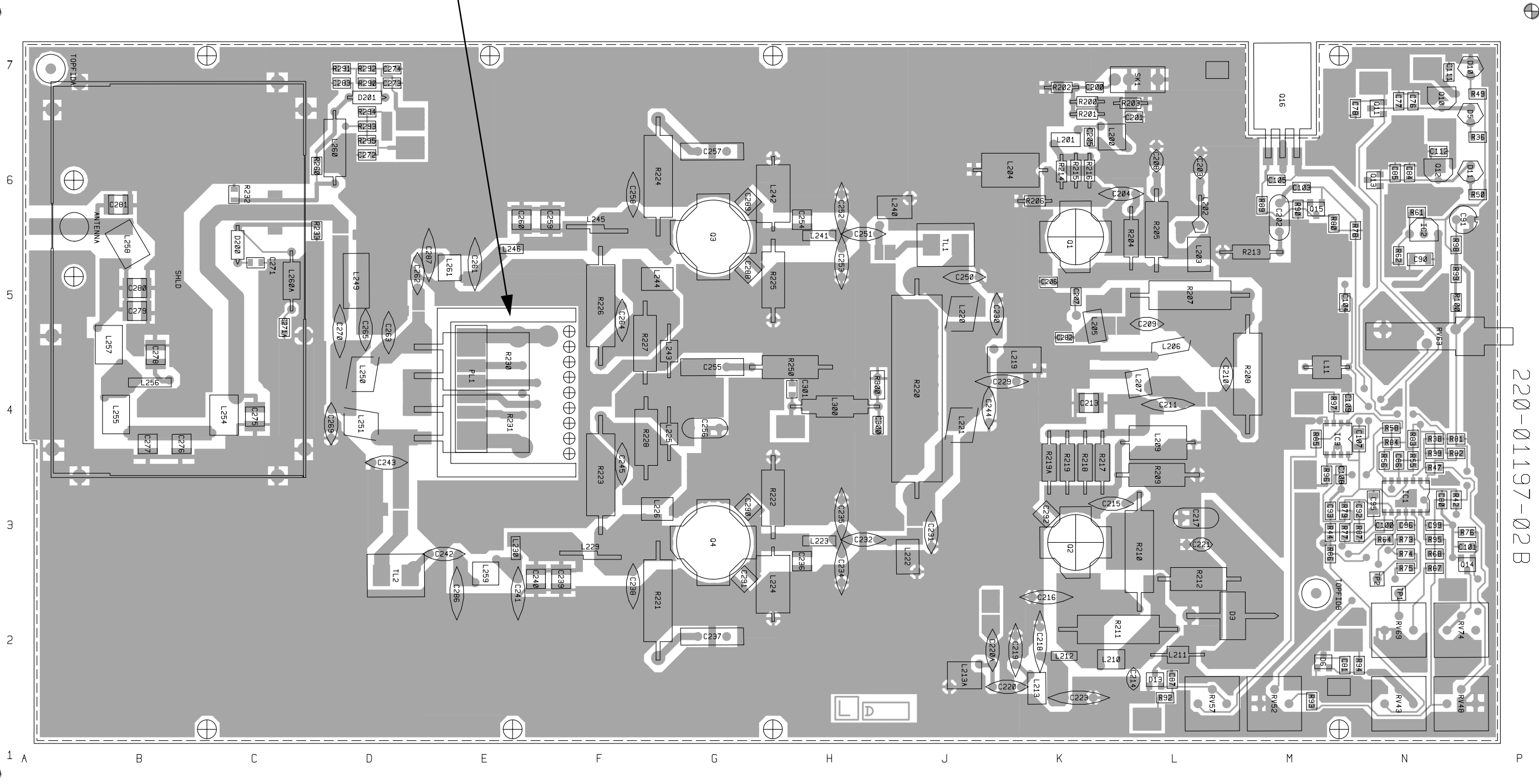
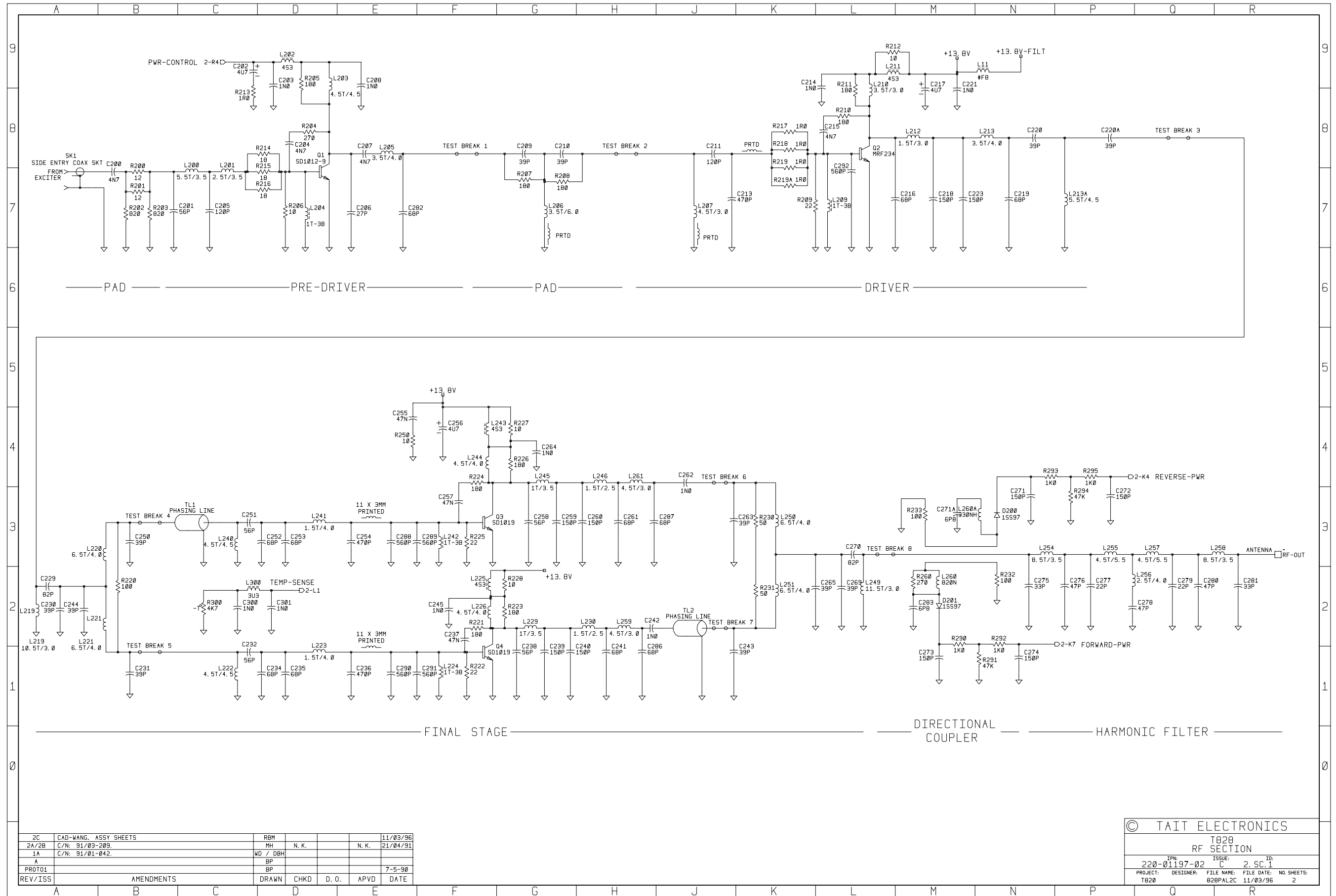


Break-off D-range PCB



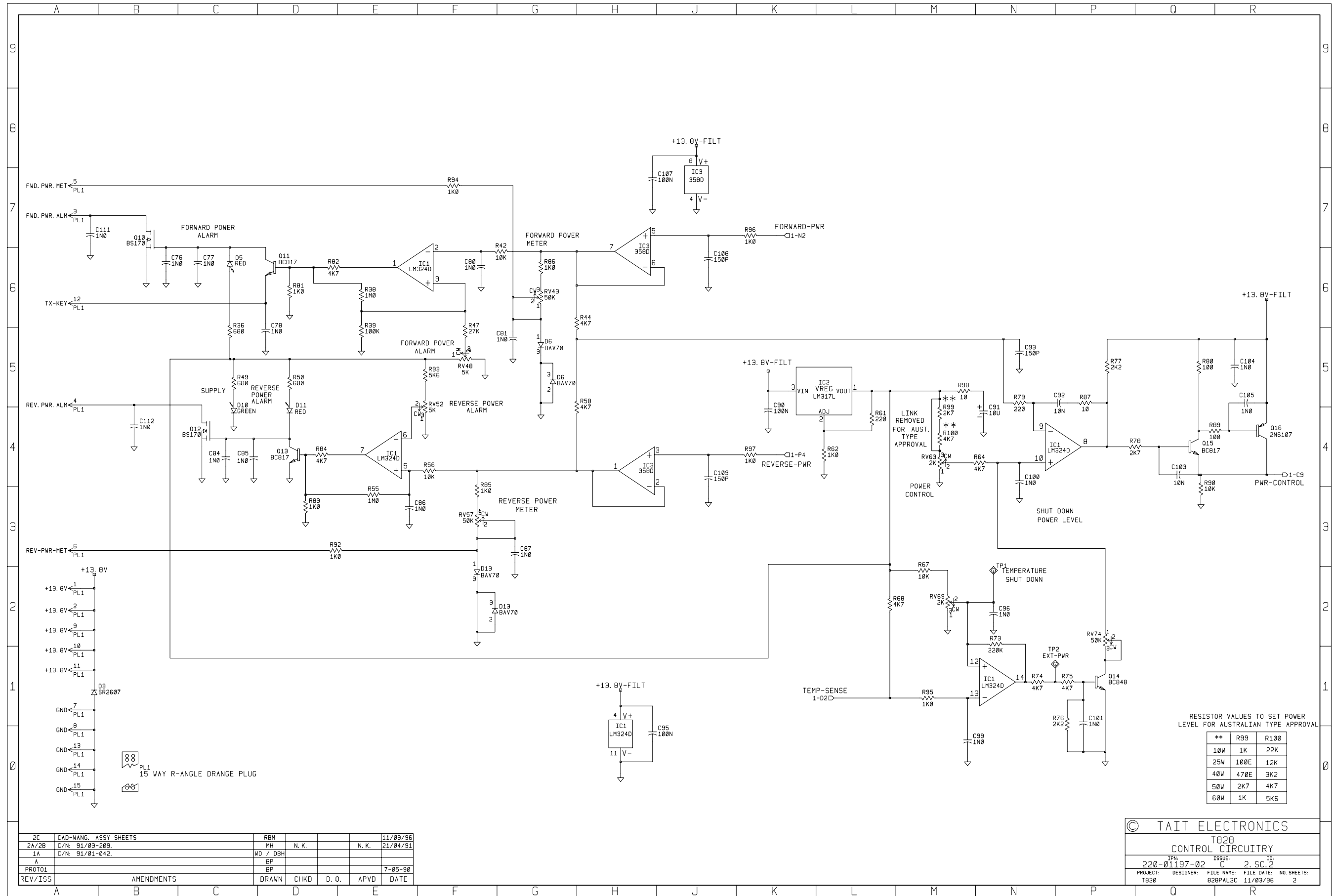
220-01197-02 B

T828 PCB Layout - Top Side
220-01197-02



2C	CAD-WANG, ASSY SHEETS	RBM			11/03/96
2A/2B	C/N: 91/03-209.	MH	N. K.	N. K.	21/04/91
1A	C/N: 91/01-042.	WD / DBH			
A		BP			
PROT01		BP			7-5-90
REV/ISS	AMENDMENTS	DRAWN	CHKD	D. O.	APVD
					DATE

© TAIT ELECTRONICS			
T828			
RF SECTION			
IPN:	ISSUE:	ID:	
220-01197-02	C	2 SC.1	
PROJECT:	DESIGNER:	FILE NAME:	FILE DATE: NO. SHEETS:
T828		B2BPAL2C	11/03/96 2



2C	CAD-WANG, ASSY SHEETS	RBM			11/03/96
2A/2B	C/N: 91/03-209.	MH	N. K.		21/04/91
1A	C/N: 91/01-042.	WD / DBH			
A		BP			
PROT01		BP			7-05-90
REV/ISS	AMENDMENTS	DRAWN	CHKD	D. O.	APVD DATE

© TAIT ELECTRONICS
T828
CONTROL CIRCUITRY

IPN: 220-01197-02
ISSUE: 2 SC.2

PROJECT: T820
DESIGNER: 828PAL2C
FILE NAME: 11/03/96
FILE DATE: 11/03/96
NO. SHEETS: 2